

# SUPERPLAN PLUS

- elegant, puristic design
- can be installed to be absolutely flush with the floor
- Total height (g) with horizontal waste fitting: 109 mm; fitting height incl. cover 83 mm (compared to tiled shower areas)
- maximum standing comfort thanks to the flat enamelled waste cover that is set flush in the shower tray
- made of KALDEWEI steel enamel
- drainage capacity KA 125: 0,85 l/s
- drainage capacity KA 125 vertical: 1,4 l/s

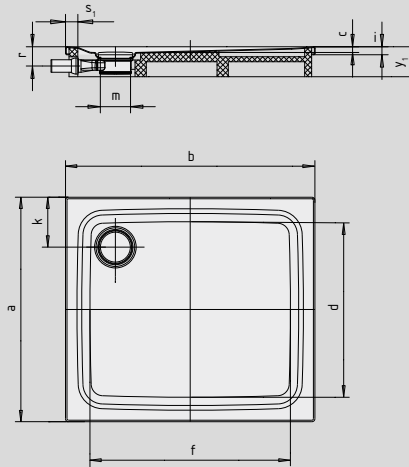


Similar illustration

	Combined Tray & Waste depth	Waste fitting depth
KA 125	109	83
KA 125 vertical	49	83

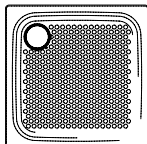
See page 275.

Model 483 with support



SECURE<sup>+</sup>

Model No.		481	482	483
External length	a	700	750	800 mm
External width	b	1200	1200	1200 mm
Depth	c	25	25	25 mm
Internal length	d	590	640	700 mm
Internal width	f	1090	1090	1100 mm
Height with siphon	g	109	109	109 mm
Height of rim	i	32	32	32 mm
Distance tray edge to centre of drain hole	k <sub>1</sub> ; k <sub>2</sub>	200	200; 225	200 mm
Diameter of drain hole	m	120	120	120 mm
Siphon connection height	l	78	78	78 mm
Width of rim	s <sub>1,2</sub>	50	50; 75	50 mm
Height with support	y <sub>1</sub>	120	120	120 mm
Weight of the enamelled shower tray in kg		23	24	25
Anti-slip		Ø 435	Ø 435	Ø 588 mm
Full anti-slip		462 x 997	524 x 997	586 x 997 mm
SECURE PLUS		all-over	all-over	all-over



The TÜV Rheinland confirms the following properties of KALDEWEI's anti-slip, full anti-slip and SECURE PLUS finish:

- Assessment group **B** for wet barefoot areas (**DIN 51097**)
- Assessment group **R 10** for slip-resistant properties in work rooms and areas with an increased risk of slipping (**DIN 51130**)

All SUPERPLAN PLUS models are available either with anti-slip, full anti-slip or SECURE PLUS.

Model 486 with SECURE PLUS or Full anti-slip fits DIN barrier-free 18040-2.

Model 494 with SECURE PLUS or Full anti-slip fits DIN barrier-free 18040-1 and 18040-2.